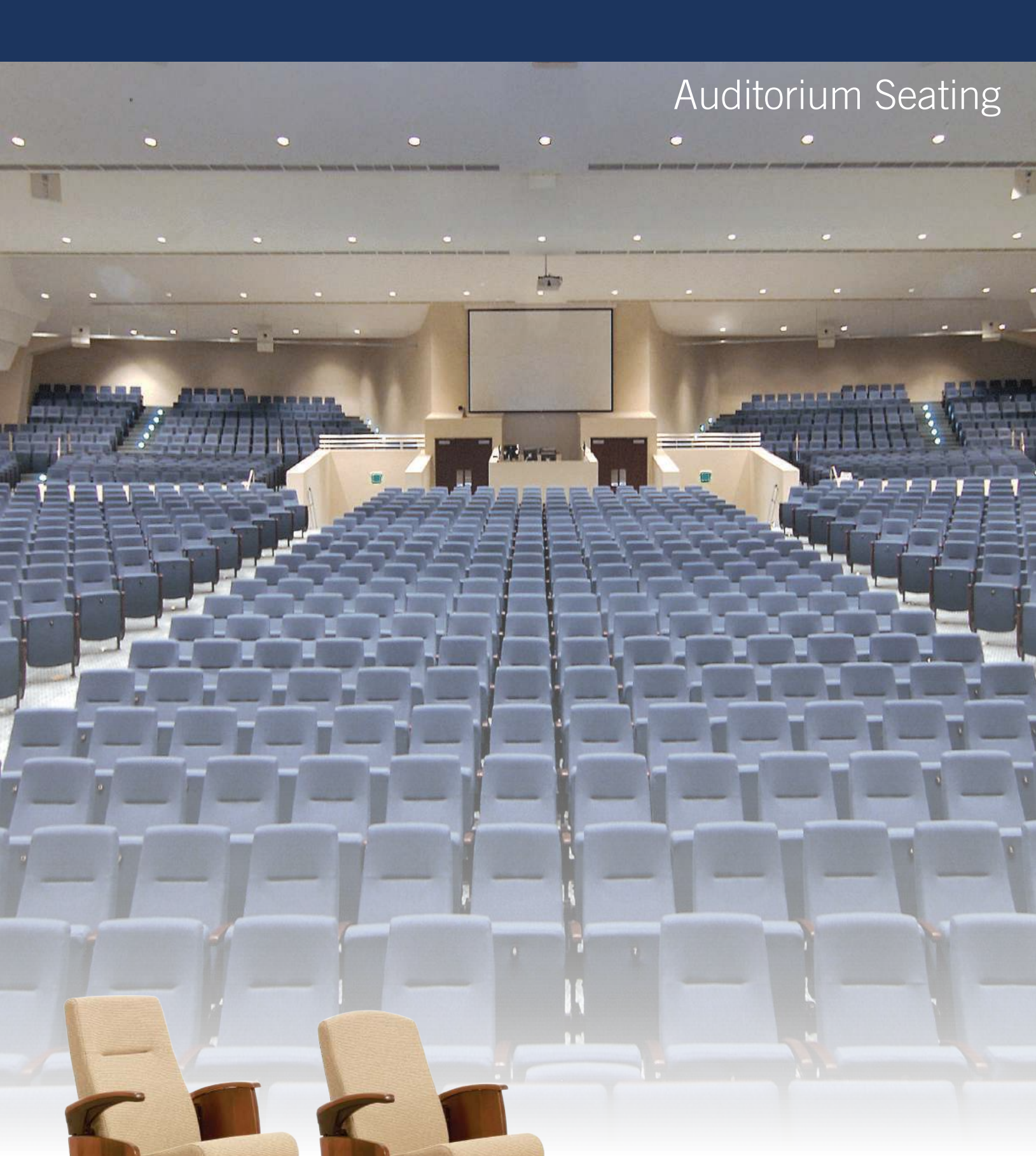


Auditorium Seating



SAUDER[®]
MANUFACTURING CO.

Seating Features and Benefits



The Sauder Difference

- **No springs or moving inner parts**
Longer lifespan, no parts to wear out.
Less maintenance.
- **Molded polymer seat support**
Stronger than either plywood or sheet metal.
- **Ergonomic lumbar support**
Increased comfort for longer sitting times.
- **Over 4" of cold-molded high-density foam**
Cold molded foam lasts longer, due to the closed cells created in the cooling process.
Is more comfortable over longer periods of time.
- **Significantly fewer fasteners and attachments**
Less maintenance for a lower cost of operation.
Easy installation and removal.
- **Unique pivot mechanism/gravity lift seats**
No maintenance required.
Nearly silent operation, eliminates the squeaking of the springs.
No springs to wear out, no dampening mechanism to go bad.
Seats resume full upright position every time.
- **2 and 3 Seat removable units**
Can be removed for special events, handicap seating, cameras, lighting.
- **Renewable upholstery**
Simple, quick replacement of stained or damaged fabric.
- **Slim profile 18¹/₂"**
Allows for longer rows per fire codes.
Easier aisle walk throughs for guests and maintenance.
Can enter, exit and clean faster.
- **Variable seat spacing**
No complex, cumbersome or unsightly brackets.
Can adjust for multiple seat spacing requirements with no additional costs or brackets.
Allows for even row ends.
Small changes can be made from the drawing to the install without affecting the look or position of ends.
- **Riser mount standards**
Allows for balcony installations.
Easier maintenance to clean under.
Offers a clean, uncluttered look under the seat.
- **Swing Out ADA End Panel**
ADA compliance.
Easy to use release mechanism.
Can be located at any row end.
- **Project Management**
Dedicated project coordinator and CAD operator.
Follow up calls keep project focused on timely installation or allow for any changes to the schedule or layout to be taken in stride.
- **Sauder Manufacturing Company**
Over 75 years of seating experience since 1934
Installations in over 30,000 locations.

Building Clarity™ or Vista is as Easy as 1, 2, 3 ...

1 Choose a Welded Steel Frame Standard

 <input type="checkbox"/> Floor Mount _____ % or _____ #	 <input type="checkbox"/> Riser Mount _____ % or _____ #	 <input type="checkbox"/> Offset _____ % or _____ #
---	--	--



2a Choose a Back Style

 <p>36"</p> <input type="checkbox"/> Clarity <i>Squared style</i>	 <p>34"</p> <input type="checkbox"/> Vista <i>Rounded style</i>
--	--



2b Choose a Back Angle

 <input type="checkbox"/> Standard	 <input type="checkbox"/> Reclined
---	--

3 Choose a Seat and Back Width

<input type="checkbox"/> Standard _____ % or _____ # <input type="checkbox"/> Wide _____ % or _____ #	 <p>20" - 22" 18"</p> <p><i>Standard</i></p>	 <p>22" - 24" 19.5"</p> <p><i>Wide</i></p>
--	--	---

4 Choose a Back Height

<input type="checkbox"/> Standard _____ % or _____ # <input type="checkbox"/> Highback _____ % or _____ # <i>Highback option only available with standard width.</i>	 <p>36" Clarity</p> <p>34" Vista</p> <p><i>Standard</i></p>	 <p>42" Clarity and Vista</p> <p><i>Highback</i></p>
--	---	---

5 Choose Back Options



Fabric



Wood

**Poly back is only available on standard width and height seating.*

6a Choose an Aisle Panel



Small
 Wood
 Upholstery



Medium
 Wood
 Upholstery



Large
 Wood*
 Upholstery



Pew End**

**includes wood arm*

***Contact your local sales rep for pew end selections.
 Custom ends and panels are also available. Please contact your sales rep for more information.*

6b Choose ADA Options



Small panel is ADA compliant without swing out.



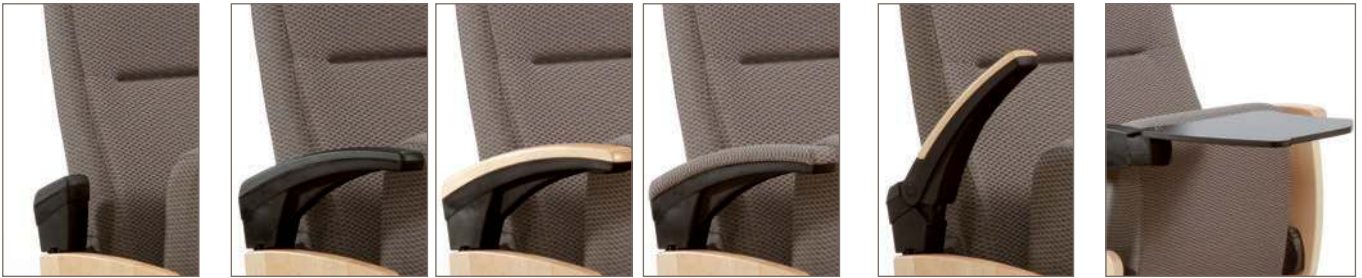
Swing Out Medium



Swing Out Large



7 Choose an Arm Style



Armless

Poly

Fixed

Wood

Upholstery

Flip-up

Poly

Wood

Upholstery

Tablet

8 Choose Seat Back Accessories



Wood Book Rack

Shown with optional
Communion cup holder



Wood Card/
Pencil Holder

Shown with optional
Communion cup holder



Drink Holder



Wood & Wire Book Rack



Wood & Wire
Card/Pencil Holder

Available with optional
Communion cup holder



Poly Book Holder

Shown with optional
Communion cup holder



Poly Card/
Pencil Holder



Communion
Cup Holder

9 Choose Aisle/ID Options



Aisle Light

White Bulb

Amber Bulb



Row
Identification



Seat
Identification

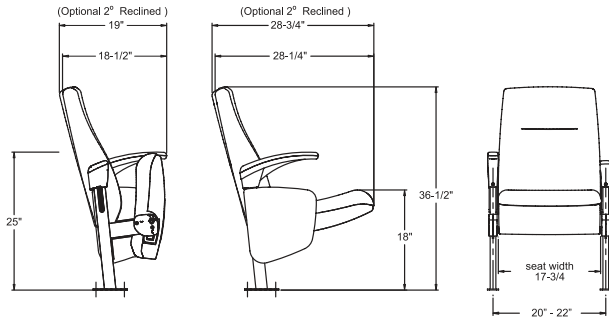
10 Choose Removable Seat



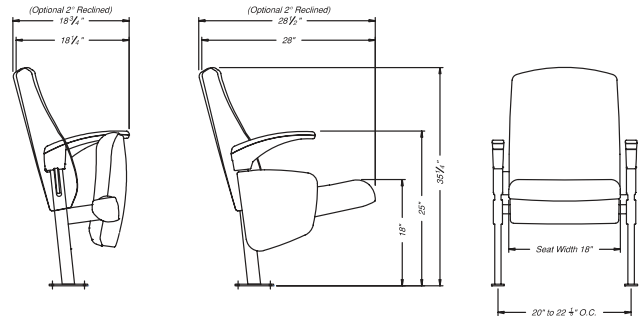
2 Seat Removable _____% or _____#

3 Seat Removable _____% or _____#

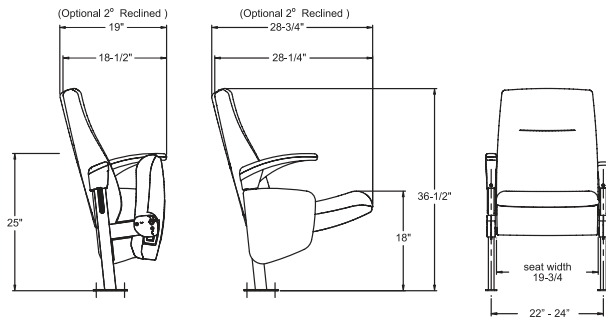
Clarity Standard Back Option



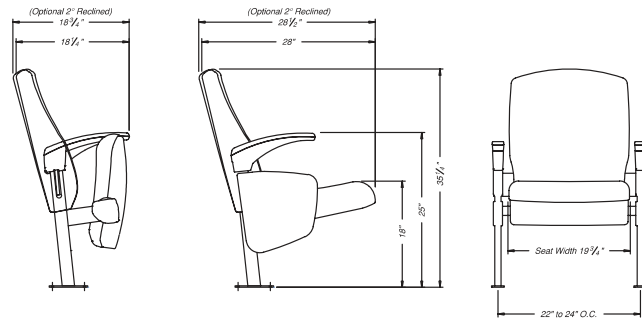
Vista Standard Back Option



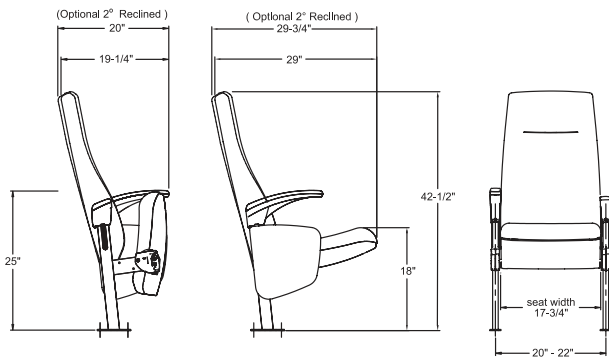
Clarity Wide Seat Option



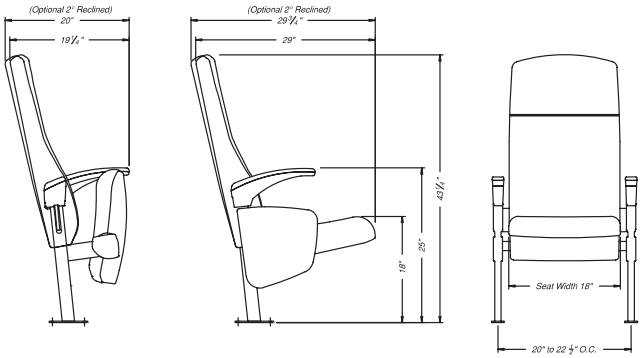
Vista Wide Seat Option



Clarity High Back Option



Vista High Option



Clarity

SAUDER[®]
MANUFACTURING CO.

930 W. Barre Road, PO Box 230
Archbold, Ohio 43502-0230

800-537-1530

saudermfg.com



Vista